

## GD1 Moulded Budget Latch

### Features

- Tough, lightweight, non-magnetic, self-lubricating, and totally corrosion-resistant
- Simple deadbolt latch, operated by 8 mm square or by slot in top & bottom faces, against ramped striker
- Non-handed design, with bolt able to travel 180° through case but held positively in open and closed positions by concealed spring
- A special version **GD1-G01957**, supplied with 8 mm steel shaft which can be fitted to either face is also available. This is normally used with moulded handle **GE7-G01664**.

### Material

- Moulded throughout in acetal copolymer for maximum strength / wear resistance
- Self-colour black with attractive textured finish

### Product Performance

- Moulded latches operated without distortion until loading of 70 kg

### Notes

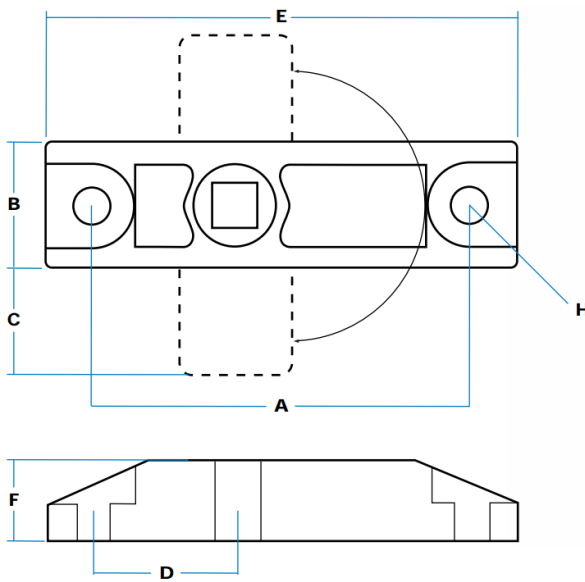
- Bolts or rivets through fixing holes in recessed areas
- Use large-headed fasteners (to 12 mm diameter) for security
- Not recommended for applications involving impact loading



**GD1-G01956**  
(Budget latch and catch plate set)



**GD1-G01957**  
(With shaft)



Part No.	Description	A	B	C	D	E	F	H	Shaft
<b>GD1-G01956</b>	Moulded budget latch & striker	66	22	19	25	83	14	7	-
<b>GD1-G01957</b>	As above, plus shaft & pin								10